


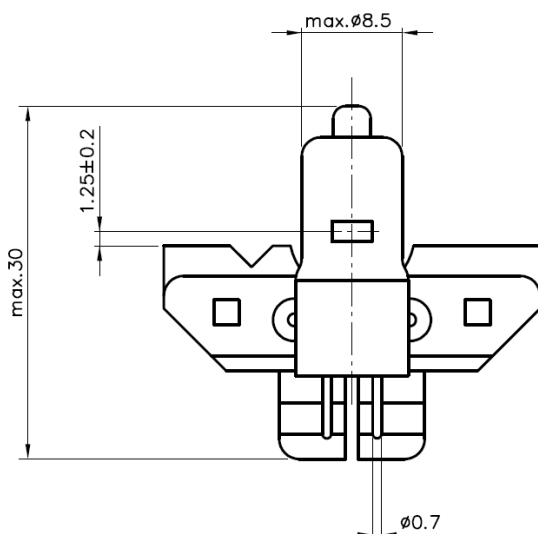
Medical

	Type SH5176 12V 37W PY16-1,25
	Ordering - No. 55176
Product Description	Halogen Lamp with Prefocus Base
Features	Quartz Bulb, Exactly positioned Filament
Applications	Medical, Microscope, Analysis

Technical Details

Category	HLWS5
Rated Voltage (V)	12
Wattage (W)	max. 40,7
Luminous Flux (lm)	900 ± 10%
Average Lifetime (h)	400
Base	PY16-1,25
Overall Length (mm)	max. 30
Bulb Diameter (mm)	max. 8,5
Light Center Length (mm)	1,25 ± 0,2
Operating Position	s90
Packaging Configuration	300 pcs.
Environmental Remark	Product don't contain lead or mercury and is conform with Directive 2002/95/EC "Restriction of the use of certain hazardous substances in electrical and electronic equipment".

Drawing (in mm)



valid from	05.03.2014—V2—PN14/0072
replace for	29.01.2013—V1
file	55176.100.pdf